



T870 | Compact Loaders



POWER
meets
COMFORT
BY BOBCAT



Machine Rating

| | |
|---------------------------------------|---------------|
| Rated operating capacity | 1508 kg |
| Tipping load | 4306 kg |
| Pump capacity | 90.1 L/min |
| Pump capacity (with high flow option) | 141.6 L/min |
| System relief at Quick Couplers | 23.8–24.5 MPa |
| Max. travel speed — low range | 10.5 km/h |
| Max. travel speed — high range | 18.3 km/h |

Engine

| | |
|-----------------------------------|------------------------|
| Make / Model | Kubota / V3800-DI-T-E3 |
| Fuel / Cooling | Diesel / Liquid |
| Power | 74 kW |
| Torque at 1600 RPM (ISO9249 EEC) | 325 Nm |
| Number of cylinders | 4 |
| Displacement | 3800 cm ³ |
| Fuel tank capacity | 134.8 L |

Weights

| | |
|------------------|---------|
| Operating weight | 5751 kg |
|------------------|---------|

Controls

| | |
|---------------------------------|---|
| Vehicle steering | Direction and speed controlled by two joysticks |
| Loader hydraulics tilt and lift | Selectable Joystick Control (SJC) |
| Front auxiliary (standard) | Electrical switch on right-hand joystick |

Drive System

| | |
|--------------|---|
| Transmission | Infinitely variable tandem hydrostatic piston pumps, driving two fully reversing hydrostatic motors |
|--------------|---|

Standard Features

| | |
|---|--|
| Roller Suspension™ | Work lights, front and rear |
| Selectable Joystick Controls (SJC) | Parking brake |
| Adjustable suspension seat | Seat belt |
| Automatically activated intake air heater | Seat bar |
| Bob-Tach™ frame | Turbo-charger with approved spark arrestor |
| Bobcat Interlock Control System (BICS) | Tracks — rubber — 450 mm — C-pattern |
| Deluxe operator cab | CE certification |

Includes interior cab foam, side, top and rear windows, cab door with windshield wiper and sensor, cup holder, storage compartment and horn

Instrumentation

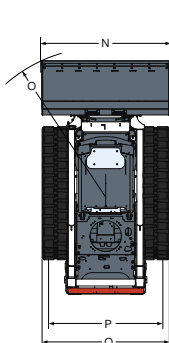
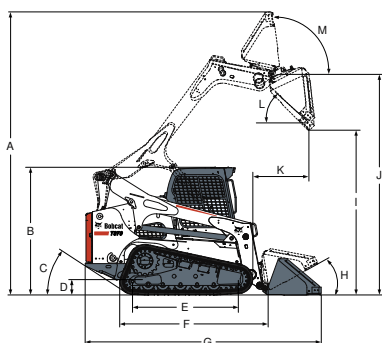
Lift arm support

* Roll Over Protective Structure (ROPS) - meets requirements of SAE-J1040 and ISO 3471; Falling Object Protective Structure (FOPS) - meets requirements of SAE-J1043 and ISO 3449, Level I

Options

| | |
|-------------------------|--------------------------------|
| Two speed | Cab enclosure with heating |
| Heavy duty radio | High flow auxiliary hydraulics |
| Deluxe instrument panel | Air conditioning |
| Power Bob-Tach™ | |

Dimensions



| | | | |
|-----|---------|-----|---------|
| (A) | 4689 mm | (J) | 3657 mm |
| (B) | 2118 mm | (K) | 927 mm |
| (C) | 33° | (L) | 42° |
| (D) | 218 mm | (M) | 98° |
| (E) | 1749 mm | (N) | 2133 mm |
| (F) | 3030 mm | (O) | 2514 mm |
| (G) | 3910 mm | (P) | 1658 mm |
| (H) | 30° | (Q) | 2108 mm |
| (I) | 2728 mm | | |

Attachments

- Angle broom*†
- Auger
- Bale forks
- Buckets
- Wood chipper*
- Concrete pump*
- Dozer blade*
- Dumping hopper
- Flail cutter
- Forestry cutter
- Grader*
- Hydraulic breaker**
- Industrial grapple
- Mower
- Over-the-tyre tracks
- Pallet forks - standard
- Pallet forks - hydraulic
- Rear stabilizers
- Snow blower*
- Sod layer*
- Soil conditioner*
- Spreader
- Stump grinder*
- Super scraper
- Tree transplanter*
- Trencher
- Utility frame
- Vibratory roller
- Water kit
- Wheel saw*

*Attachment control kit required.

**When operating the loader with this attachment, a Special Applications Kit must be used.

†Optional water kit.



www.bobcat.eu