



T770 | Compact Loaders



POWER
meets
COMFORT
BY BOBCAT



Machine Rating

Rated operating capacity (ISO 14397-1)	1611 kg
Tipping load (ISO 14397-1)	4602 kg
Pump capacity	87.1 L/min
Pump capacity (with high flow option)	151 L/min
System relief at Quick Couplers	23.8–24.5 MPa
Max. travel speed (low range – standard)	10.6 km/h
Max. travel speed (high range – optional)	17.2 km/h

Engine

Make / Model	Kubota / V3800-DI-T-E3
Fuel / Cooling	Diesel / Liquid
Power	68.6 kW
Torque at 1600 RPM (SAE J1995 Gross)	315 Nm
Number of cylinders	4
Displacement	3769 cm ³
Fuel tank	103 L

Weights

Operating weight	4683 kg
------------------	---------

Controls

Vehicle steering	Direction and speed controlled by two hand levers or joysticks (optional)
Loader hydraulics tilt and lift	Separate foot pedals, optional Advanced Control System (ACS), Advanced Hand Controls (AHC) or Selectable Joystick Controls (SJC)
Front auxiliary (standard)	Electrical switch on right-hand steering lever

Drive System

Transmission	Infinitely variable tandem hydrostatic piston pumps, driving two fully reversing hydrostatic motors
--------------	---

Standard Features

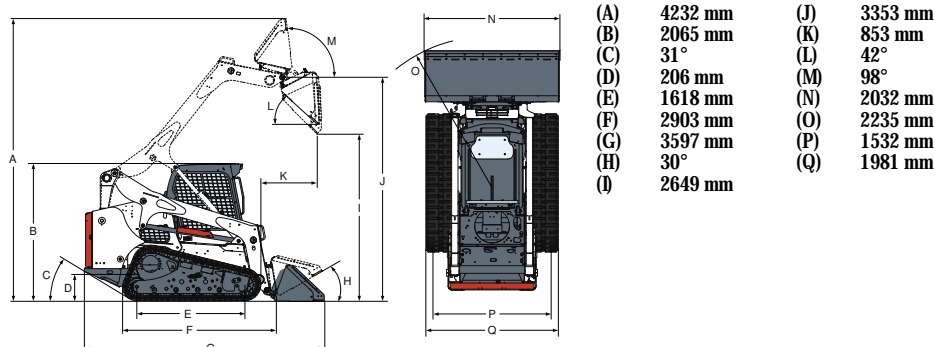
High-back adjustable suspension seat	Work lights, front and rear
Automatically activated intake air heater	Parking brake
Bob-Tach™ frame	Seat belt
Bobcat Interlock Control System (BICS)	Seat bar
Deluxe operator cab Includes interior cab foam, side, top and rear windows	Turbo-charger with approved spark arrestor
Hydraulic bucket positioning (including ON/OFF switch)	Tracks — rubber — 450 mm — C-pattern
Front door with windshield wiper	CE certification
Instrumentation	
Lift arm support	

* Roll Over Protective Structure (ROPS) – meets requirements of SAE-J1040 and ISO 3471; Falling Object Protective Structure (FOPS) - meets requirements of SAE-J1043 and ISO 3449, Level I

Options

Deluxe instrument panel	Advanced Control System (ACS)
Power Bob-Tach™	Advanced Hand Controls (AHC)
Cab enclosure with heating	Selectable Joystick Controls (SJC)
High-flow auxiliary hydraulics	Roller Suspension™
Air conditioning	Steel tracks

Dimensions



Attachments

- Angle broom*†
- Auger
- Brushcat rotary cutter
- Buckets
- Wood Chipper*
- Combination bucket
- Concrete pump*
- Dozer blade*
- Drop hammer
- Dumping hopper
- Flail cutter
- Grader
- Hydraulic breaker**
- Industrial grapple
- Landplane
- Landscape rake
- Mower
- Pallet forks – heavy duty
- Planer*
- Rear stabilisers
- Snow V-blade
- Snow blower*
- Sod layer*
- Soil conditioner*
- Spreader
- Stump grinder*
- Super scraper
- Sweeper
- Tiller
- Tree transplanter*
- Trencher
- Utility frame
- Vibratory roller
- Water kit
- Wheel saw

*Attachment control kit required.

**When operating the loader with this attachment, a Special Applications Kit, which includes a 12 mm Lexan front door with 6 mm top and rear windows, must be used.

†Optional water kit.



www.bobcat.eu