



**S850** | Compact Loaders



## Machine Rating

|   |               |
|---|---------------|
| Rated operating capacity Bobcat / ISO 14397-1 | 1758 kg       |
| Tipping load                                  | 3515 kg       |
| Pump capacity                                 | 87.1 L/min    |
| Pump capacity (with high flow option)         | 140 L/min     |
| System relief at quick couplers               | 23.8–24.5 MPa |
| Max. travel speed (low range)                 | 11.4 km/h     |
| Max. travel speed (high range)                | 19.8 km/h     |

## Engine

|   |                        |
|---|------------------------|
| Make / Model                                  | Kubota / V3800-DI-T-E3 |
| Fuel / Cooling                                | Diesel / Liquid        |
| Power   | 68.6 kW                |
| Torque, maximum at 1600 RPM (SAE J1995 Gross) | 314.5 Nm               |
| Number of cylinders                           | 4                      |
| Displacement                                  | 3800 cm <sup>3</sup>   |
| Fuel tank capacity                            | 124.2 L                |

## Weights

|                  |         |
|------------------|---------|
| Operating weight | 4540 kg |
|------------------|---------|

## Controls

|                                 |   |
|---------------------------------|---|
| Vehicle steering                | Direction and speed controlled by two joysticks |
| Loader hydraulics tilt and lift | Selectable Joystick Control (SJC)               |
| Front auxiliary (standard)      | Electrical switch on right-hand joystick        |

## Drive System

|              |   |
|--------------|---|
| Transmission | Infinitely variable tandem hydrostatic piston pumps, driving two fully reversing hydrostatic motors |
|--------------|---|

## Standard Features

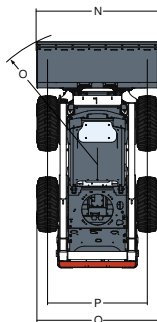
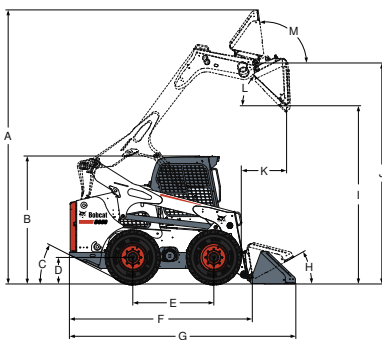
|  |  |
|--|--|
| Two speed  | Engine/hydraulics system shutdown          |
| Selectable Joystick Controls (SJC) or Standard Control Power Assist (SCPA) | Hydraulic bucket positioning               |
| High-back adjustable suspension seat                                       | Instrumentation                            |
| Automatically activated intake air heater                                  | Lift arm support                           |
| Bob-Tach™ frame  | Work lights, front and rear                |
| Bobcat Interlock Control System (BICS)                                     | Parking brake                              |
| Deluxe operator cab  | Seat belt                                  |
| Includes interior cab foam, side, top and rear windows                     | Seat bar                                   |
| Electrically activated proportional front auxiliary hydraulics             | 14 x 17.5, 12-ply, Heavy duty tyres        |
|  | CE certification                           |
|  | Turbo-charger with approved spark arrestor |

\* Roll Over Protective Structure (ROPS) - meets requirements of SAE-J1040 and ISO 3471; Falling Object Protective Structure (FOPS) - meets requirements of SAE-J1043 and ISO 3449, Level I

## Options

|                            |   |
|----------------------------|---|
| Heavy duty radio           | Power Bob-Tach™                                   |
| High flow hydraulics       | 14 x 17.5, 12-ply, Severe duty tyres              |
| Deluxe instrument panel    | 14 x 17.5, 12-ply, Severe duty tyres, poly filled |
| Cab enclosure with heating | 14 x 17.5, Solid flex tyres                       |
| Air conditioning           |   |

## Dimensions



|     |         |     |         |
|-----|---------|-----|---------|
| (A) | 4532 mm | (J) | 3657 mm |
| (B) | 2118 mm | (K) | 754 mm  |
| (C) | 27°     | (L) | 42.0°   |
| (D) | 218 mm  | (M) | 98°     |
| (E) | 1342 mm | (N) | 2032 mm |
| (F) | 3030 mm | (O) | 2262 mm |
| (G) | 3751 mm | (P) | 1652 mm |
| (H) | 30°     | (Q) | 2005 mm |
| (I) | 2951 mm |     |         |

## Attachments

- Angle broom\*†
- Auger
- Bale forks
- Buckets
- Wood chipper\*
- Concrete pump\*
- Dozer blade\*
- Dumping hopper
- Flail cutter
- Forestry cutter
- Grader\*
- Hydraulic breaker\*\*
- Industrial grapple
- Mower
- Over-the-tyre tracks
- Pallet forks - standard
- Pallet forks - hydraulic
- Rear stabilizers
- Snow blower\*
- Sod layer\*
- Soil conditioner\*
- Spreader
- Stump grinder\*
- Super scraper
- Tracks, steel
- Tree transplanter\*
- Trencher
- Utility frame
- Vibratory roller
- Water kit
- Wheel saw\*

\*Attachment control kit required.

\*\*When operating the loader with this attachment, a Special Applications Kit must be used.

†Optional water kit.



www.bobcat.eu