



**E25** | Compact Excavators



## Weights

|   |           |
|---|-----------|
| Operating weight with ROPS canopy, rubber tracks, counterweight and bucket: | 2441 kg   |
| Additional weight for cab with heating                                      | 130 kg    |
| Ground pressure with rubber tracks  | 30.20 kPa |

## Engine

|  |                          |
|--|--------------------------|
| Make / model                               | Kubota / D1105-E2B-BCZ-2 |
| Fuel                                       | Diesel                   |
| Number of cylinders                        | 3                        |
| Displacement                               | 1123 cm <sup>3</sup>     |
| Maximum net torque at 1400 RPM (SAE J1995) | 71.2 Nm                  |

## Performance

|                                       |          |
|---------------------------------------|----------|
| Digging force, dipperstick (ISO 6015) | 15800 N  |
| Digging force, bucket (ISO 6015)      | 22200 N  |
| Drawbar pull                          | 30200 N  |
| Travel speed, low range               | 2.4 km/h |
| Travel speed, high range              | 4.6 km/h |

## Hydraulic System

|                      |   |
|----------------------|---|
| Pump type            | Dual outlet variable displacement piston pump with gear pumps |
| Piston pump capacity | 28.80 L/min   |
| Auxiliary flow       | 48.00 L/min   |
| Auxiliary relief     | 180.0 bar   |

## Slew System

|                   |         |
|-------------------|---------|
| Boom swing, left  | 60°     |
| Boom swing, right | 60°     |
| Slew rate         | 9.3 RPM |

## Fluid Capacities

|                                    |         |
|------------------------------------|---------|
| Cooling system                     | 4.60 L  |
| Engine lubrication plus oil filter | 5.10 L  |
| Fuel reservoir                     | 34.60 L |
| Hydraulic system                   | 25.00 L |

## Environmental

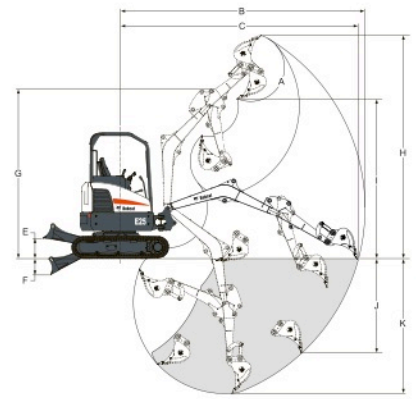
|  |                       |
|--|-----------------------|
| Noise level LpA(EU Directive 2000/14/EC) | 77 dB(A)              |
| Noise level LWA(EU Directive 2000/14/EC) | 93 dB(A)              |
| Whole body vibration (ISO 2631-1)        | 0.40 ms <sup>-2</sup> |
| Hand-arm vibration (ISO 5349-1)          | 1.57 ms <sup>-2</sup> |

## Standard Features

|  |  |
|--|--|
| 1400 mm dozer blade                      | Hydraulic joystick controls                              |
| 250 mm rubber track                      | Lockable storage compartment                             |
| Auxiliary hydraulics with Quick Couplers | Radio/MP3 ready  |
| Cab light                                | Seat   |
| Clamp ready                              | Retractable seat belt                                    |
| Control console locks                    | TOPS/ROPS* canopy <sup>1</sup>                           |
| Cupholder                                | Two-speed travel   |
| Engine/hydraulic monitor with shutdown   | Work lights (boom and upperstructure)                    |
| Fingertip auxiliary hydraulic control    | Warranty: 12 months, 2000 hours (whichever occurs first) |
| Horn                                     |  |

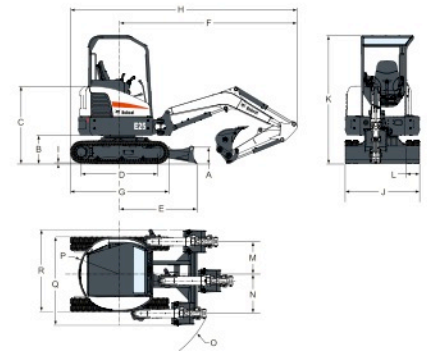
1. Roll Over Protective Structure (ROPS) – Meets requirements of ISO 3471. Tip Over Protective Structure (TOPS) – Meets requirements of ISO 12117.

## Working Range



|               |               |
|---------------|---------------|
| (A) 185°      | (G) 3246.0 mm |
| (B) 4678.0 mm | (H) 4272.0 mm |
| (C) 4553.0 mm | (I) 3057.0 mm |
| (D) 2132.0 mm | (J) 1809.0 mm |
| (E) 385.0 mm  | (K) 2582.0 mm |
| (F) 315.0 mm  |               |

## Dimensions



|               |               |
|---------------|---------------|
| (A) 330.0 mm  | (J) 1400.0 mm |
| (B) 536.0 mm  | (K) 2412.0 mm |
| (C) 1456.0 mm | (L) 250.0 mm  |
| (D) 1437.0 mm | (M) 614.0 mm  |
| (E) 1462.0 mm | (N) 735.0 mm  |
| (F) 3347.0 mm | (O) 1661.0 mm |
| (G) 1859.0 mm | (P) 770.0 mm  |
| (H) 4276.0 mm | (Q) 1660.0 mm |
| (I) 25.0 mm   | (R) 1539.0 mm |

## Options

### Factory Options

- Auxiliary hydraulic line on arm
- Keyless start
- Auto idle
- TOPS/ROPS cab with heater
- 2nd Auxiliary hydraulics
- Suspension seat (vinyl)
- Deluxe textile suspension seat
- Boom safety valve
- Boom & arm safety valves
- Travel motion alarm
- Direct return to tank

### Dealer Installed Accessories

- AM/FM stereo radio
- FOGS kit (Overhead guard)
- Beacon kit
- Left and right mirror kit
- Additional work light kit
- Fuel filter with transparent water separator

# DOOSAN

**Doosan Benelux S.A./N.V.**

Drève Richelle167  
1410 Waterloo  
Tel.: +32 2 371 68 11 Fax: +32 2 371 69 00



[www.bobcat.eu](http://www.bobcat.eu)