

**E08** | Compact Excavators

## Weights

Operating weight with standard bucket, excluding operator	1138 kg
Ground pressure	28.80 kPa

## Engine

Make / model	Kubota / D722-E2B-BCZ-6 (TIER2)
Fuel	Diesel
Number of cylinders	3
Displacement	0.72 L
Maximum power at 2000 RPM (ISO 9249)	7.4 kW
Maximum net torque at 1400 RPM (SAE J1995)	39.1 Nm

## Performance

Digging force, dipperstick (ISO 6015)	5550 N
Digging force, bucket (ISO 6015)	8294 N
Drawbar pull	9905 N
Travel speed	2.1 km/h

## Hydraulic System

Pump type	Double gear pump
Pump capacity	20.00 L/min
Auxiliary flow	20.00 L/min
Auxiliary relief	185.0 bar
Relief pressure for implement circuit	185.0-185.0 bar

## Slew System

Boom swing, left	70°
Boom swing, right	70°
Slew rate	9.0 RPM

## Fluid Capacities

Cooling system	3.00 L
Engine lubrication plus oil filter	3.50 L
Fuel reservoir	16.00 L
Hydraulic system	9.40 L

## Environmental

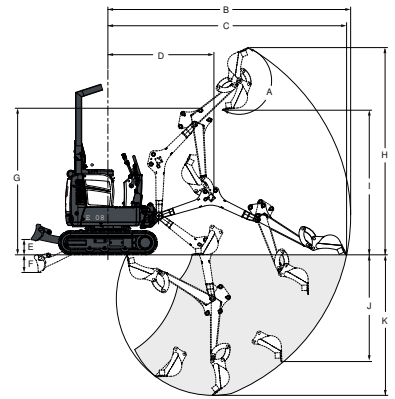
Noise level LpA(EU Directive 2000/14/EC)	80 dB(A)
Noise level LWA(EU Directive 2000/14/EC)	93 dB(A)

## Standard Features

710 mm dozer blade / 1000 mm extended	Spark arrester muffler
180 mm rubber track	Suspension seat with high back
Auxiliary hydraulics	TOPS canopy <sup>1</sup>
Control console locks	Vandalism protection
Horn	Work lights
Hydraulically expandible undercarriage from 710 to 1000 mm	Warranty: 12 months, 2000 hours (whichever occurs first)
Retractable seat belt	

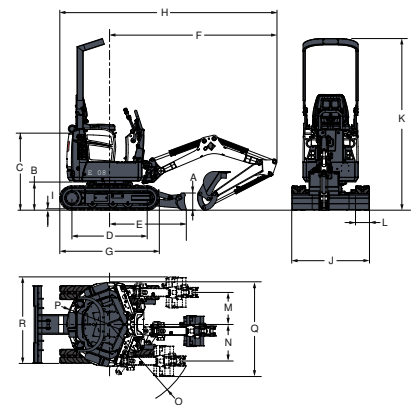
1. Tip Over Protective Structure (TOPS) – Meets requirements of ISO 12117

## Working Range



(A)	196°	(G)	1899.0 mm
(B)	3145.0 mm	(H)	2685.0 mm
(C)	3093.0 mm	(I)	1818.0 mm
(D)	1374.0 mm	(J)	1383.0 mm
(E)	196.0 mm	(K)	1820.0 mm
(F)	230.0 mm		

## Dimensions



(A)	220.0 mm	(J)	710.0 mm
(B)	363.0 mm	(K)	2209.0 mm
(C)	992.0 mm	(L)	180.0 mm
(D)	968.0 mm	(M)	413.0 mm
(E)	987.0 mm	(N)	471.0 mm
(F)	2153.0 mm	(O)	1121.0 mm
(G)	1280.0 mm	(P)	550.0 mm
(H)	2793.0 mm	(Q)	1220.0 mm
(I)	16.0 mm	(R)	1163.0 mm

## Options

Auxiliary double action	Keyless start
Auxiliary quick coupler	Travel motion alarm
Beacon kit	Strobe
Demolition kit	



www.bobcat.eu